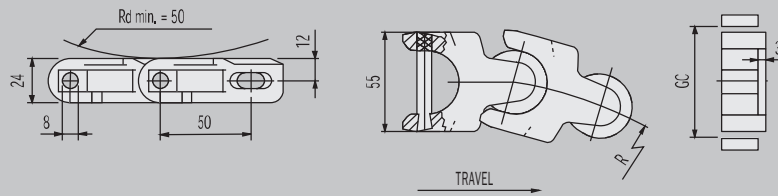


Biplanar thermoplastic chains

1700 / 1700 TAB SERIES



WLF 1700



1700

LOW FRICTION ACETAL RESIN

- Plates in self-lubricating low friction acetal resin.
- Pins in austenitic chrome-nickel stainless steel, work hardened for high resistance.

PRODUCT CODES

WLF 1700	white colour	internal code 1700.WA
LFA 1700	light brown colour	internal code 1700.LFA

CHARACTERISTICS

		Radius R (mm)	GC st. (mm)	GC sid. (mm)	Weight (kg/m)
WLF 1700	white colour	140	58	58	1.26
LFA 1700	light brown colour	140	58	58	1.26

- Standard shipping lengths = 122 pitches = 20 feet = 6,10 metres.



WLF 1700 TAB

1700 TAB

LOW FRICTION ACETAL RESIN

- Plates in self-lubricating low friction acetal resin.
- Pins in austenitic chrome-nickel stainless steel, work hardened for high resistance.

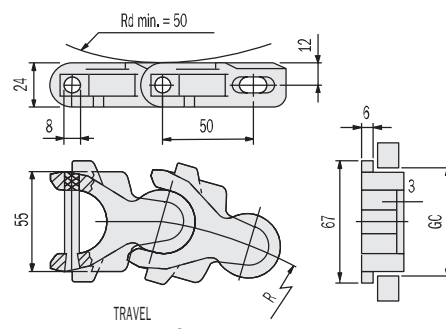
PRODUCT CODES

WLF 1700 TAB	white colour	internal code 1700TAB.WA
LFA 1700 TAB	light brown colour	internal code 1700TAB.LFA

CHARACTERISTICS

		Raggio R (mm)	GC st. (mm)	GC sid. (mm)	Weight (kg/m)
WLF 1700 TAB	white colour	140	58	58	1.30
LFA 1700 TAB	light brown colour	140	58	58	1.30

- Standard shipping lengths = 122 pitches = 20 feet = 6,10 metres.



Biplanar thermoplastic chains

WLF 1701

LOW FRICTION ACETAL RESIN

- Plates in self-lubricating low friction acetal resin, white-coloured.
- Pins in austenitic chrome-nickel stainless steel, work hardened for high resistance.

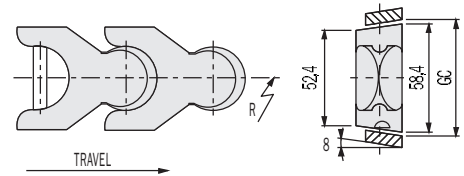
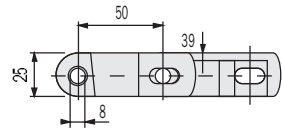
PRODUCT CODES

WLF 1701 internal code 1701.WA

CHARACTERISTICS

	Radius R (mm)	GC st. (mm)	GC sid. (mm)	Weight kg/m
WLF 1701	150	62	60.3	1.50

- Standard shipping lengths = 122 pitches = 20 feet = 6,10 metres.



WLF 1701 TAB

LOW FRICTION ACETAL RESIN

- Plates in self-lubricating low friction acetal resin, white-coloured.
- Pins in austenitic chrome-nickel stainless steel, work hardened for high resistance.

PRODUCT CODES

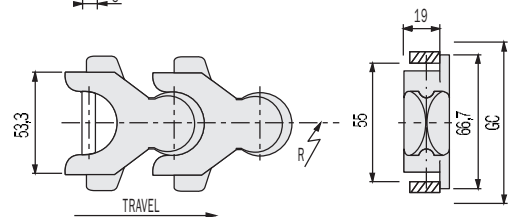
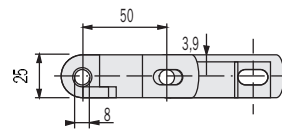
WLF 1701 TAB internal code 1701.TAB.WA

CHARACTERISTICS

	Radius R (mm)	GC st. (mm)	GC sid. (mm)	Weight kg/m
WLF 1701 TAB	150	57.5	56.0	1.50

* If R > 500, GC = 55

- Standard shipping lengths = 122 pitches = 20 feet = 6,10 metres.



Biplanar thermoplastic chains

WLF 1702

LOW FRICTION ACETAL RESIN

- Plates in self-lubricating low friction acetal resin, white-coloured.
- Pins in austenitic chrome-nickel stainless steel, work hardened for high resistance.

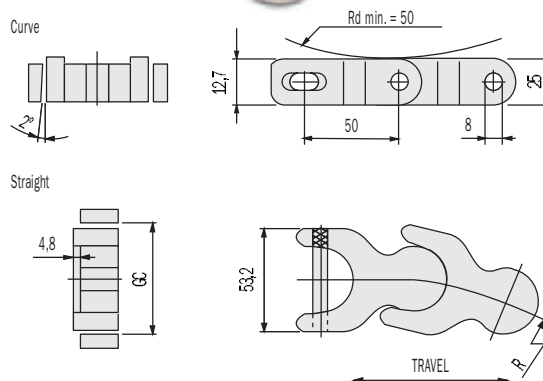
PRODUCT CODES

WLF 1702 internal code 1702.WA

CHARACTERISTICS

	Radius R (mm)	GC st. (mm)	GC sid. (mm)	Weight kg/m
WLF 1702	140	59.5	56.8	1.43

- Standard shipping lengths = 122 pitches = 20 feet = 6,10 metres.



WLF 1703

LOW FRICTION ACETAL RESIN

- Plates in self-lubricating low friction acetal resin, white-coloured.
- The open design ensures optimum cleaning possibilities.
- Pins in austenitic chrome-nickel stainless steel, work hardened for high resistance.

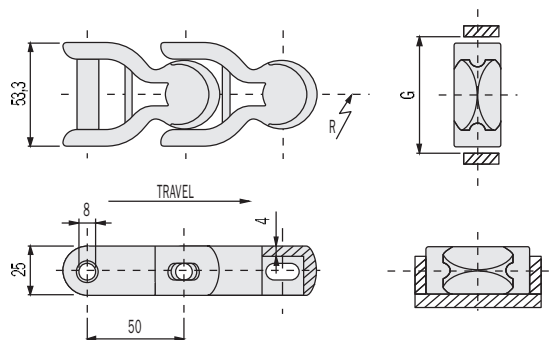
PRODUCT CODES

WLF 1703 internal code 1703.WA

CHARACTERISTICS

	Radius R (mm)	GC st. (mm)	GC sid. (mm)	Weight kg/m
WLF 1703	150	58.7	56.9	1.43

- Standard shipping lengths = 122 pitches = 20 feet = 6,10 metres.

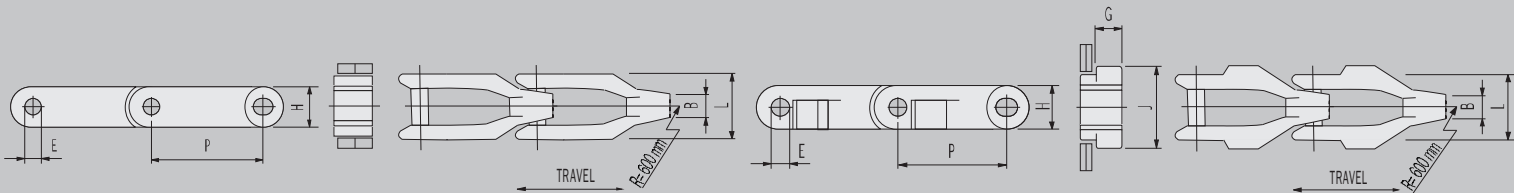


Case conveyor chains

D 600 / D 600 C SERIES



D 600 - D 600 TAB



D 600 - D 600 TAB

ACETAL RESIN

- Plates in self-lubricating acetal resin, white-coloured.
- Pins in austenitic chrome-nickel stainless steel, work hardened for high resistance.

PRODUCT CODES

D 600	internal code 600.D
D 600 TAB	internal code 600.TAB.D

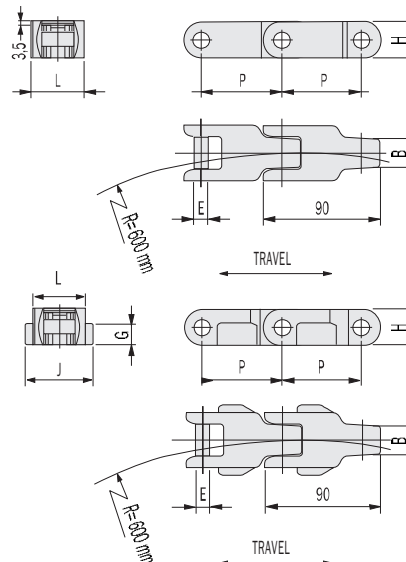
CHARACTERISTICS

	Pitch (mm)	L (mm)	Diam. E (mm)	B (mm)	H (mm)	J (mm)	G (mm)	Weight kg/m
D 600	63.5	43	11.0	18.0	28.5	-	-	1.44
D 600 TAB	63.5	43	11.0	18.0	28.5	54	14	1.49

- Standard shipping lengths 96 pitches = 20 feet = 6,096 metres.



D 600 C - D 600 TAB C



D 600 C - D 600 TAB C

ACETAL RESIN

- Plates in self-lubricating acetal resin, white-coloured.
- Pins in austenitic chrome-nickel stainless steel, work hardened for high resistance.

PRODUCT CODES

D 600 C	internal code 600.D.C
D 600 TAB C	internal code 600.TAB.D.C

CHARACTERISTICS

	Pitch (mm)	L (mm)	Diam. E (mm)	B (mm)	H (mm)	J (mm)	G (mm)	Weight kg/m
D 600 C	63.5	43	11.0	18.0	28.5	-	-	1.42
D 600 TAB C	63.5	43	11.0	18.0	28.5	54	14	1.55

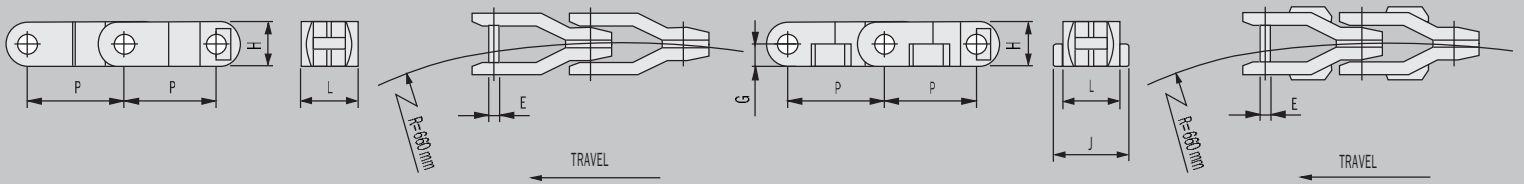
- Standard shipping lengths 96 pitches = 20 feet = 6,096 metres.

Case conveyor chains

D 1400 SERIES



D 1400 - D 1400 TAB



D 1400 - D 1400 TAB

ACETAL RESIN

- Plates in self-lubricating acetal resin, white coloured.
- Pins in austenitic chrome-nickel stainless steel, work hardened for high resistance.

PRODUCT CODES

D 1400	internal code	1400.D
D 1400 TAB	internal code	1400.TAB.D

CHARACTERISTICS

	Pitch P (mm)	L (mm)	Diam. E (mm)	H (mm)	J (mm)	G (mm)	Weight kg/m
D 1400	82.5	50	9.5	38.5	-	-	1.44
D 1400 TAB	82.5	50	9.5	38.5	66.0	19.25	2.26

- Standard shipping lengths 74 pitches = 20 feet = 6,105 metres.

50